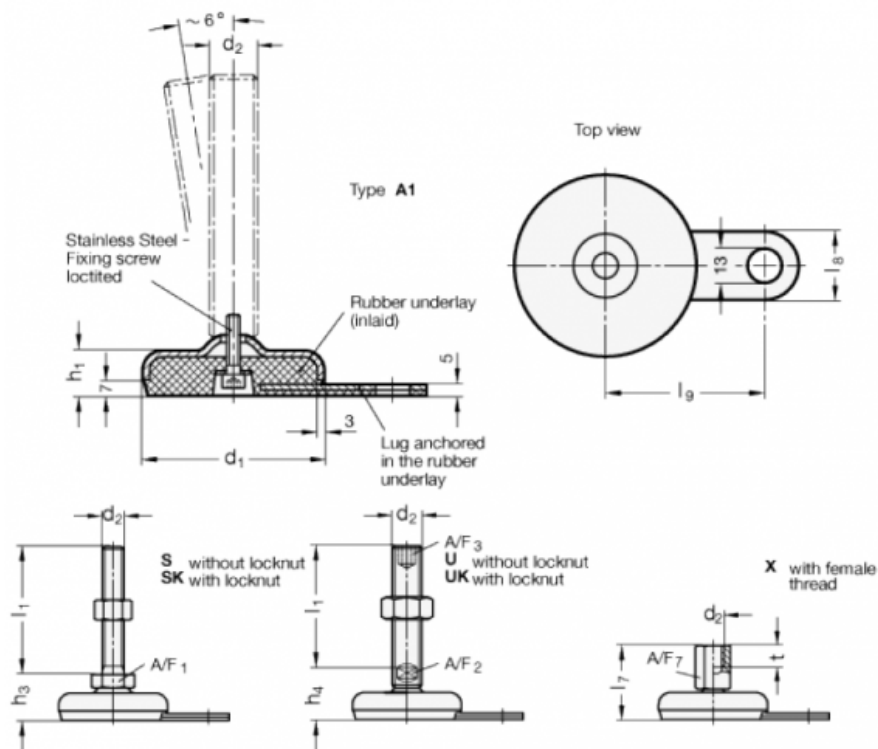


Article number: 2032100M24200A1U

Description: E+G levelling foot
GN 32-100-M24-200-A1-U

Note: U Without nut, Hexagon socket at the top, Wrench flat at the bottom

Measures



A/F2 = 19

$l_9 = 80$

A/F3 = 12

$d_1 = 100$

$d_2 = M24$

$h_1 = 21$

$h_4 = 39$

$l_1 = 200$

$l_8 = 30$